

HOVERJACK[®]

Evacuation II

The Evacuation HoverJack II device was specifically developed to meet the demands of EMS professionals. The Evacuation HoverJack II can lift and transport bariatric patients, as well as assist in extractions from the home environment, including down stairs. Four air chambers inflate to lift the patient from the floor in a seated or supine position, maintaining patient dignity and minimising risk of injury to the crew by creating a no-lift environment.



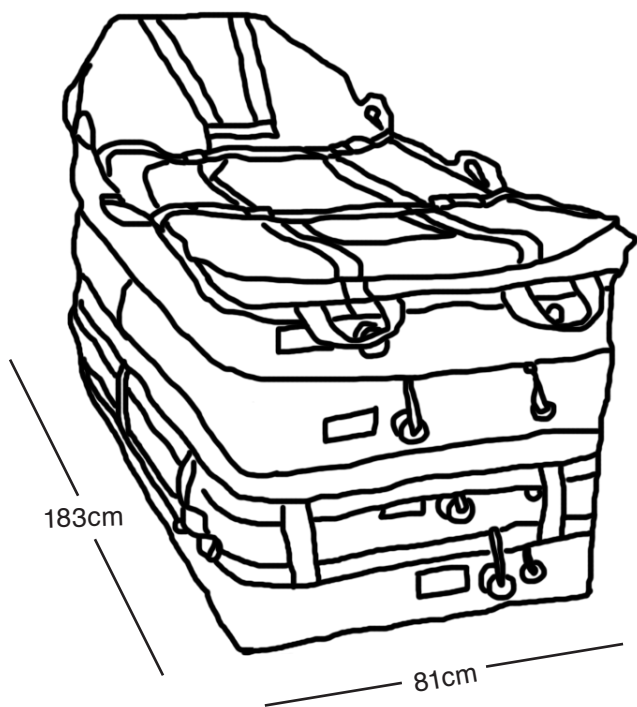
Evacuation HoverJack II Benefits:

- Air chambers inflate to lift the bariatric patient from the floor in a supine or seated position, creating a no-lift environment for the crew.
- Tapered head-end, adjustable inflation chambers, and steering straps improve manoeuvrability around corners and down most stairwells
- Quick-release valves expedite deflation to lower patient when needed
- Support skirt with replaceable Teflon coated bottom allows device to be used across rough terrain.
- Weight capacity of 318kg for stairwell evacuations or 545kg for vertical lifts accommodates most patients

HOVERJACK®

Evacuation II

HoverJack® Evacuation II Matt



Product Specifications

Material Specs

Top: Nylon Oxford

Bottom: Teflon® impregnated polyester

Construction: RF-Welded

Straps: Cordura® fabric

Available Sizes

81cm W x 183cm L (MHHT-HJEV2-32)

Packaging

1 per box

Compatible with HoverTech Air Supplies

MHHT-AIR2300 (Variable Speed)

For more information, contact your local HoverTech distributor, or visit www.hovertech.com.au



JDH101016-v2

Distributed By:

Imported by:
JD Healthcare
6/30 Leighton Place, Hornsby NSW
sales@jdhealthcare.com.au
Ph: 1300 791 404